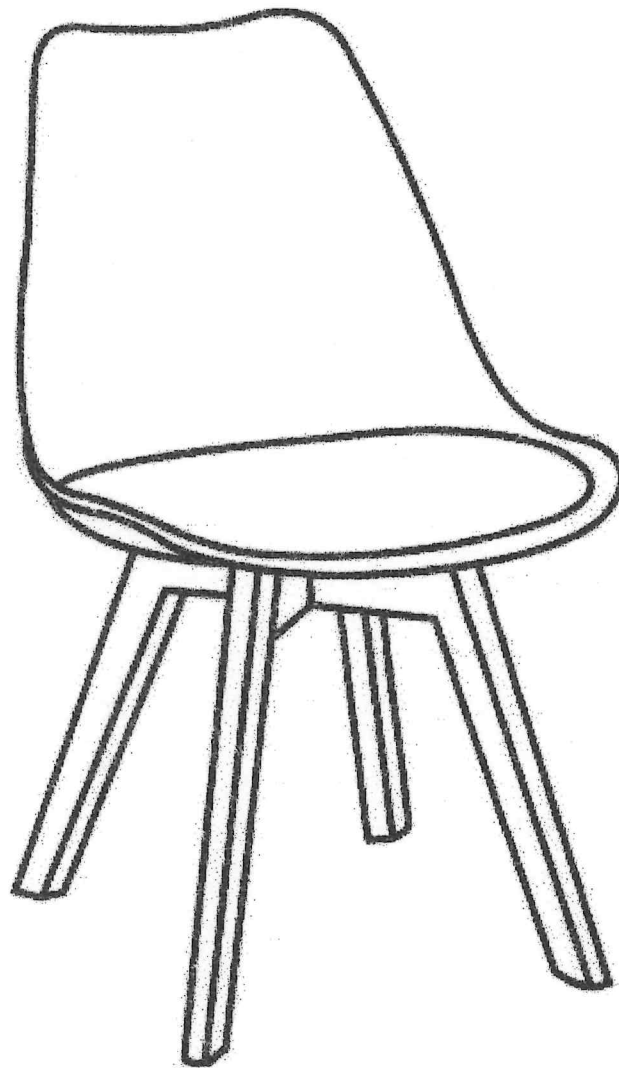


BJORN

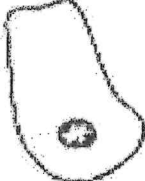


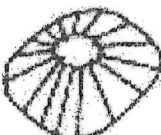





Ref: 1543_130963_130964_130965_130966_130967_130968_130969



h&j Habitat
et Jardin

2022-2023

Ref: 1543_130963_130964_130965_130966_130967_130968_130969

A		X1	47.5*40*44 cm	1/1
B1		X1	27mm	1/1
B2		X1	27 mm	1/1
C		X1	45*38 cm	1/1
D		X1	6*40 mm	1/1
E		X4	6*50mm	1/1
F		X1	6*60*20 mm	1/1
G		X2	6*25 mm	1/1
H		X4	25*25 mm	1/1

FR : SAV/INFORMATION /VIDEO/CONTACT

EN: AFTER-SALES SERVICE/INFORMATION/VIDEO/CONTACT

DE : REPARATUR-SERVICE UND ERSATZTEILE /INFORMATIONEN /VIDEO/KONTAKT

ES: SERVICIO POST-VENTA/INFORMACI N/VIDEO/CONTACTO

IT: SERVIZIO ASSISTENZA/INFORMAZIONI/VIDEO/CONTATTO

PT: SERVIÇO P S-VENDA/INFORMAÇÕES/VIDEO/CONTATO

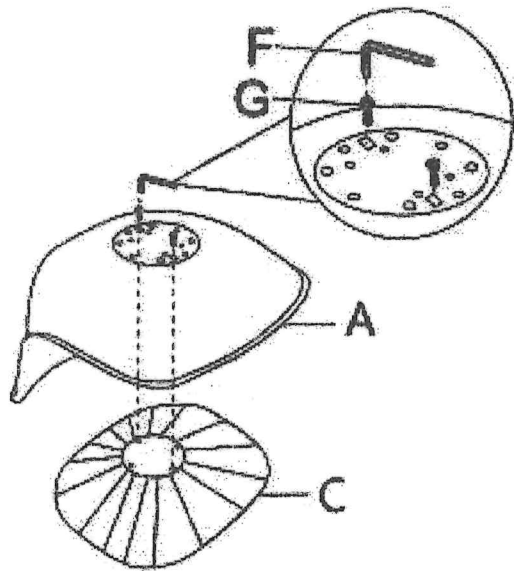
PL: SERWIS TECHNICZNY/INFORMACJE/WIDEO/KONTAKT

NE: AFTER SALES SERVICE/INFORMATIE/VIDEO/CONTACT

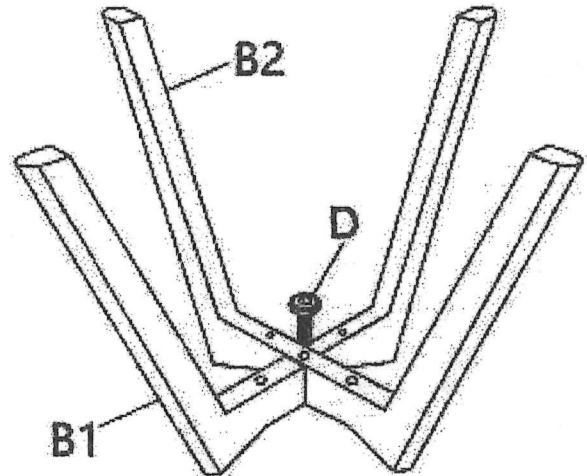
HE: סע רשקתל/ואדיווה/ עדימ/תורכמו תוריש רחאל



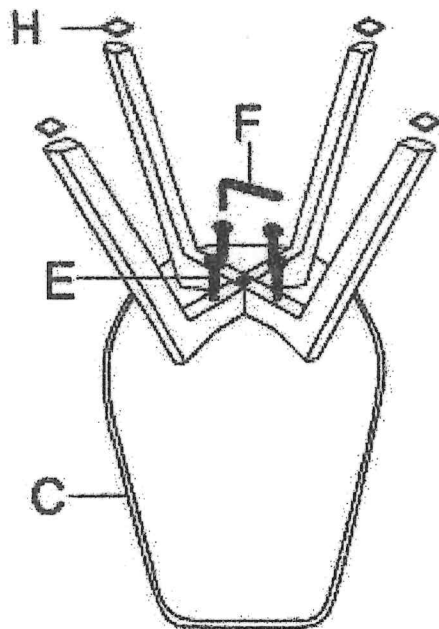
1



2



3



4

